



Modular screw compressor system

Low Space Direct Driven Non Cooled systems



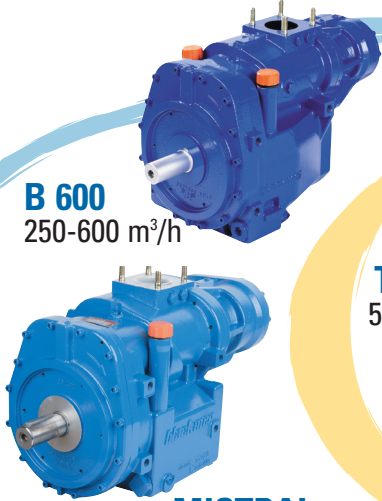
LS-DDNC

Direct Driven Non Cooled systems

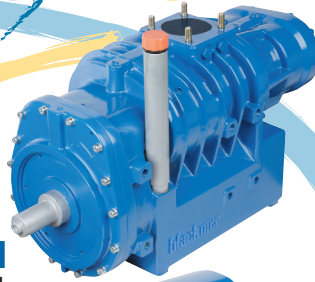


DDNC

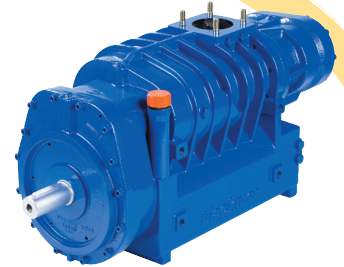
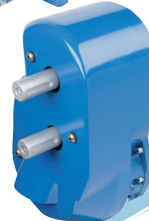
B 600
250-600 m³/h



TYPHON II
500-1130 m³/h

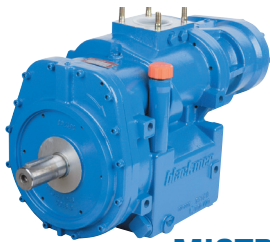


13R-15L*
19R-22L
Multiplier

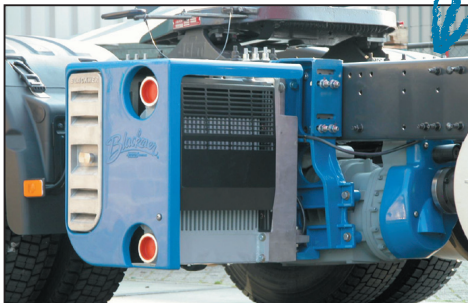


B 1500
625-1550 m³/h
(*only in multiplier
19R-22L)

MISTRAL
365-750 m³/h



DDIC



Direct Driven Inter Cooled systems

SP XL-DDIC

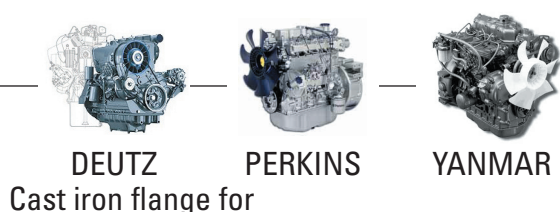
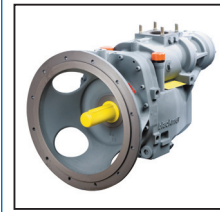


(Suction + Pressure) Direct Driven Inter Cooled systems

Options for every screw compressor



Hydraulic adapter



DEUTZ
Cast iron flange for

PERKINS

YANMAR



Modular screw compressor system

Trucks	Gear box	PTO	Rotation	13R	19R	20R
MB	G211(281)-12	NA 123-10b	↻ CCW	1:1.05 / 1.34	1:1.33 / 1.70 1:1.71 / 2.18	1:1.33 / 1.70 1:1.71 / 2.18
	G330-12	NA 123-10b	↻ CCW	1:1.35 / 1.74	1:1.35 / 1.74 1:1.70 / 2.20	1:1.35 / 1.74 1:1.70 / 2.20
	G221-9	NA 123-10b	↻ CCW	1:1.27	1:1.63	1:1.63
	G211-16	NA 123-10b	↻ CCW	1:1.17 / 1.40	1:1.50 / 1.80	1:1.50 / 1.80
	G240-16	NA 123-10b	↻ CCW	1:1.34 / 1.62	1:1.70 / 2.05	1:1.70 / 2.05

Trucks	Gear box	PTO	Rotation	13R	19R	20R
DAF	ZF 16S1620 (1920-2220) TD	N221/10	↻ CCW	1:1.14 / 1.36	1:1.68 / 2.00	1:1.68 / 2.00
IVECO	ZF 16S1820 (2220-2720) TD	N221/10	↻ CCW	1:1.13 / 1.35	1:1.75 / 2.10	1:1.75 / 2.10
MAN	ZF 12 AS 2301 DD	N AS / 10	↻ CCW		1:1.51 1:1.92	1:1.51 1:1.92
RVI	ZF 12 AS 2301 OD	N AS / 10	↻ CCW	1:1.40	1:1.73 1:2.15	1:1.73 1:2.15

Trucks	Gear box	PTO	Rotation	13R	15L	20R
SCANIA	GRS890 / 900 / 920	EG600	↻ CW		1:1.45 / 1.78	
	GRS905	EG660	↻ CCW	1:1.00 / 1.24		
	GRS905	EG661	↻ CCW	1:1.28 / 1.58		1:1.28 / 1.58
	GRS0905	EG663	↻ CCW	1:1.03 / 1.29		
	GRS895	EG664	↻ CCW	1:1.00 / 1.24		
	GRS895	EG665	↻ CCW	1:1.28 / 1.58		1:1.28 / 1.58

Trucks	Gear box	PTO	Rotation	15L	22L	20R
VOLVO	V2214/2514/2814	PTR-FH	↻ CCW			1:1.23 / 1.54
	V2214/2514/2814	PTRD-F(D1-D2)	↻ CW	1:1.30 / 1.62		
	VO2512/3112AT	PTR-FH	↻ CCW			1:1.57 / 2.00
	VO2512/3112AT	PTRD-F(D1-D2)	↻ CW		1:1.65 / 2.10	

WARNING : Please take care of the power consumption of the compressor with the safety valve setting is lower than the power of the PTO



Mouvex reserves the right to modify the information and illustrations contained in this document without prior notice. This is a non-contractual document.
Printed in FRANCE by Filigrane
© 2009 Mouvex

ZI la Plaine des Isles
rue des Caillottes
89000 AUXERRE - FRANCE
T + 33.3.86.49.86.30
F + 33.3.86.46.42.10
contact@mouvex.com



Distributed by :

Screw compressor package

LS-DDNC

Low Space Direct Driven Non Cooled system

- Lightest and smallest direct driven system.
- Complete assembled package (plug-in system).
- Could be partly fitted behind fuel tank
(Maximum space required 330 mm)

B 600

250 - 600 m³/h

MISTRAL

365 - 750 m³/h

TYPHON II

500 - 1130 m³/h

B 600 20R LS-DDNC



Low Space

Length : 319 mm - Height : 790 mm
Width : 717 mm

TYPHON II 13R/15L LS-DDNC



Low Space

Length : 319 mm - Height : 790 mm
Width : 717 mm



Screw compressor package LS-DDNC

Compressor type			B 600		MISTRAL		TYPHON II	
Version			20R 30R	13R/15L 19R/22L	20R 30R	13R/15L 19R/22L	20R 30R	13R/15L 19R/22L
Flow		m ³ /h	250 - 600		365 - 750		500 - 1130	
Weight	-	kg	151	181	176	206	204	234
Height	H	mm	max. 790					
Length	L	mm	319					
Width	W	mm	717					
Compressor Length	C	mm	549	686	587	723	664	799

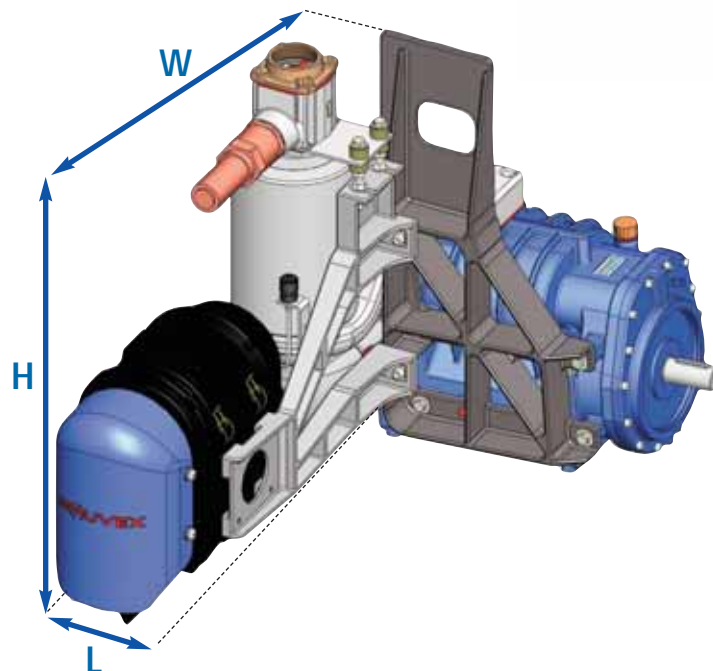
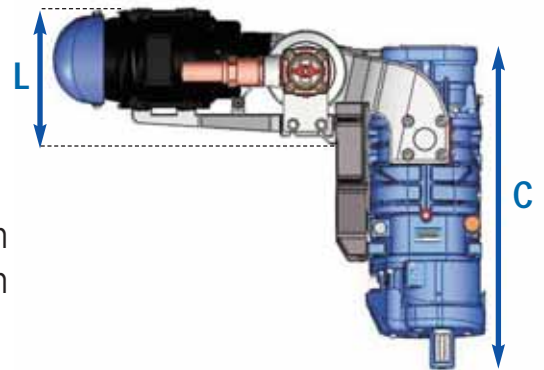


13R/CW 1040 - 1300 rpm
19R/CW 1560 - 1950 rpm

15L/CCW 1200 - 1500 rpm
22L/CCW 1800 - 2250 rpm

20R/CW 1600 - 2000 rpm
30R/CW 2400 - 3000 rpm

Speed for 2,5 bar max.



ZI la Plaine des Isles
 rue des Caillottes
 89000 AUXERRE - FRANCE
 T + 33.3.86.49.86.30
 F + 33.3.86.46.42.10
 contact@mouvex.com



Distributed by :

Mouvex reserves the right to modify the information and illustrations contained in this document without prior notice. This is a non-contractual document.
 Printed in FRANCE by Filigrane
 © 2009 Mouvex



Screw compressor

B 600

The compact

- 250 up to 600 m³/hr -



B 600-20R (short/long)
1200 - 2000 rpm CW ↻

B 600-30R
1800 - 3000 rpm CW ↻

Dimension :

L 549 x H 348 x W 280 mm
(short)

L 633 x H 348 x W 280 mm
(long)

Weight : 94 kg (short)

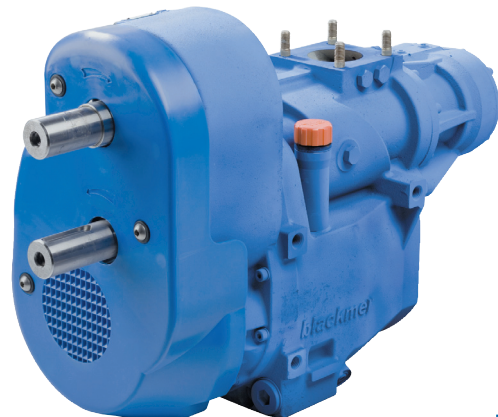
**The solution for an optimum mounting
inside truck frame.**

B 600-13R/15L
either 780 - 1300 rpm CW ↻
or 900 - 1500 rpm CCW ↻

B 600-19R/22L
either 1170 - 1950 rpm CW ↻
or 1320 - 2250 rpm CCW ↻

Dimension :
L 686 x H 443 x W 295 mm

Weight :
124 kg





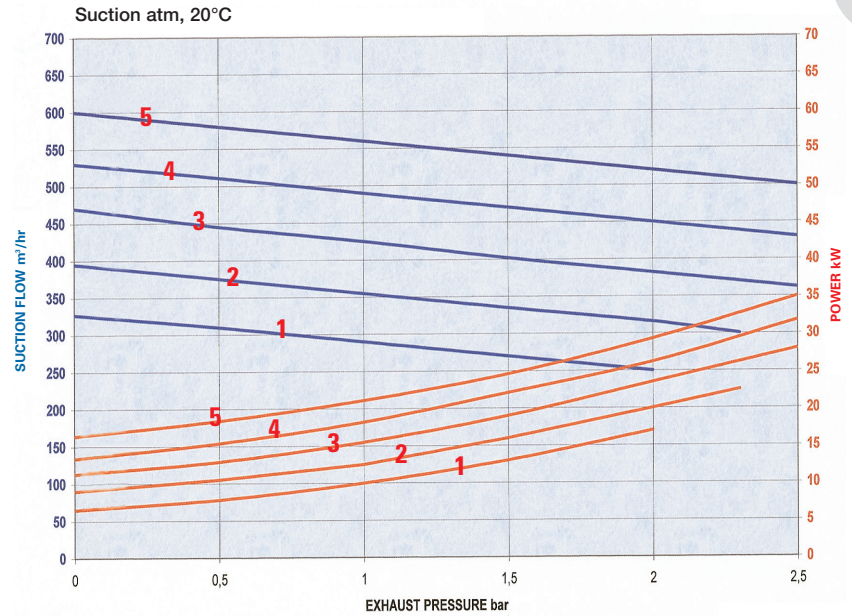
Screw compressor B 600

Speed (rpm)

COMPRESSOR SPEED

VERSION	1	2	3	4	5
13R	780	910	1040	1170	1300
15L	900	1050	1200	1350	1500
19R	1170	1365	1560	1755	1950
20R	1200	1400	1600	1800	2000
22L	1320	1580	1800	2035	2250
30R	1800	2100	2400	2700	3000

Flow (m³/hr) / Power (kW)

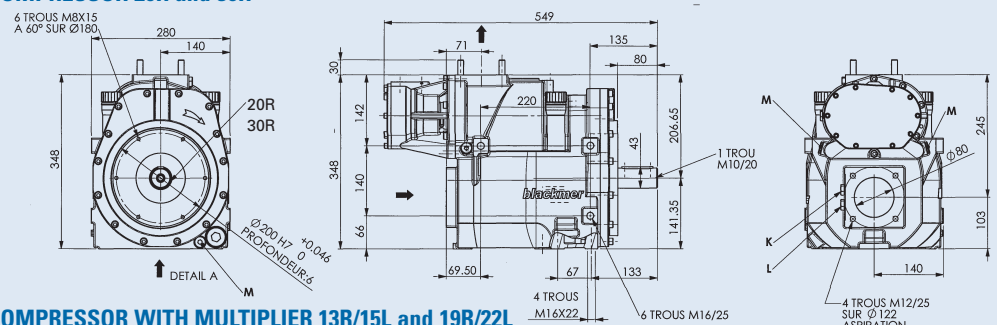


Torque / Pressure (Nm)

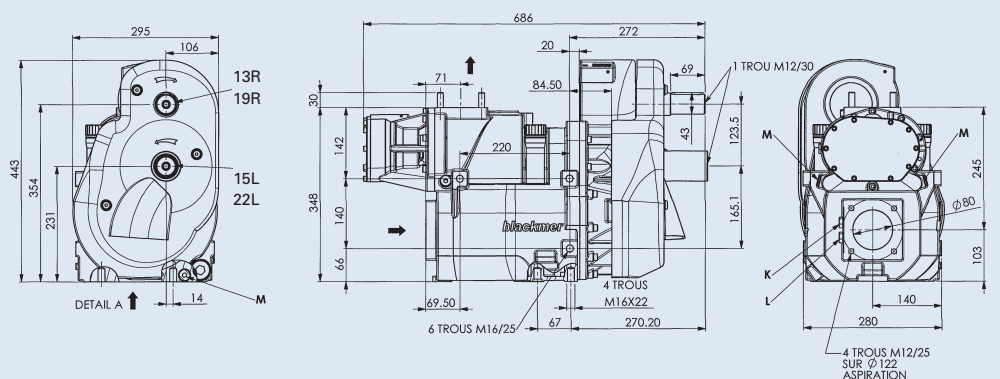
Pressure (bar)*			
VERSION	1.5	2.0	2.5
13R	180	210	260
15L	160	180	220
19R	120	150	170
20R	120	140	170
22L	110	130	150
30R	80	90	110

*At full speed

B600 COMPRESSOR 20R and 30R



B600 COMPRESSOR WITH MULTIPLIER 13R/15L and 19R/22L



Mouvex reserves the right to modify the information and illustrations contained in this document without prior notice. This is a non-contractual document.
Printed in FRANCE by Filigrane
© 2009 Mouvex

ZI la Plaine des Isles
rue des Caillottes
89000 AUXERRE - FRANCE
T + 33.3.86.49.86.30
F + 33.3.86.46.42.10
contact@mouvex.com

www.mouvex.com



Distributed by :



Screw compressor

mh⁶

For dry bulk

250 to 600 m³/hr - (2,5 bar)

Dimension :

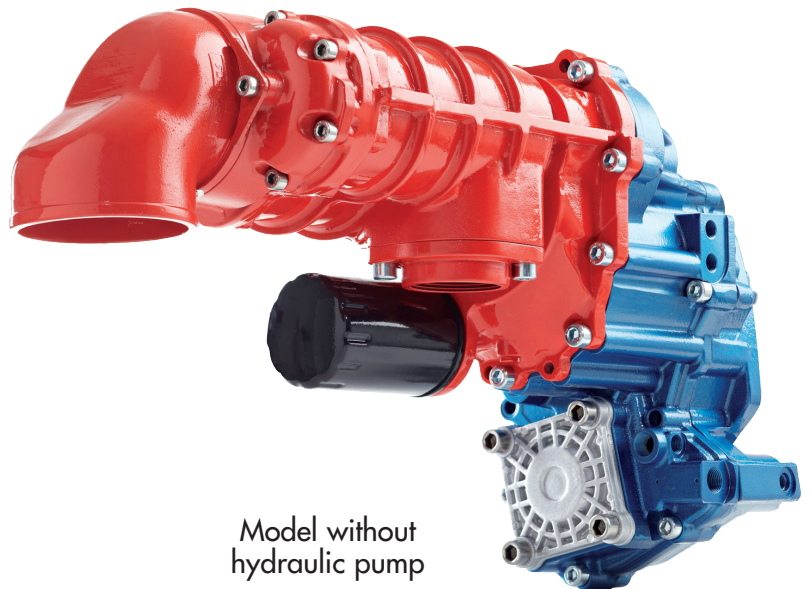
L 604 x H 358 x W 280 mm

Weight : 25 + 50 = 75 kg

Designed to meet the Euro 6 regulation

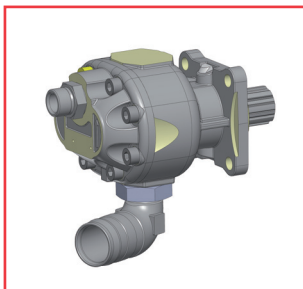
2 PTO versions available :

- Double PTO with hydraulic pump
- Single PTO without hydraulic pump

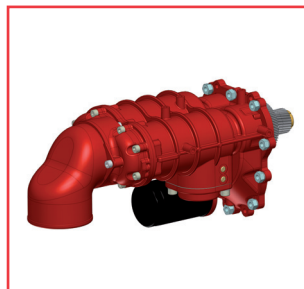


Model without hydraulic pump

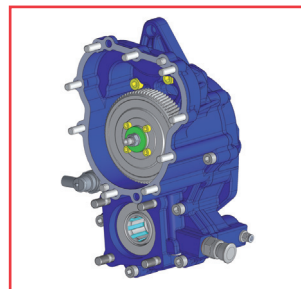
The optimum solution for a direct mounting on the truck gear box



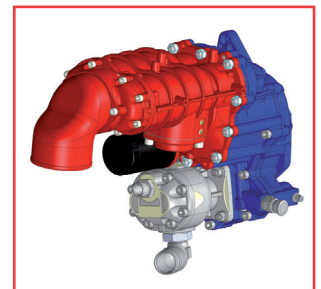
Hydraulic pump



Screw compressor module
(Mouvex)



PTO/ Power Take Off module
(Hydrocar)



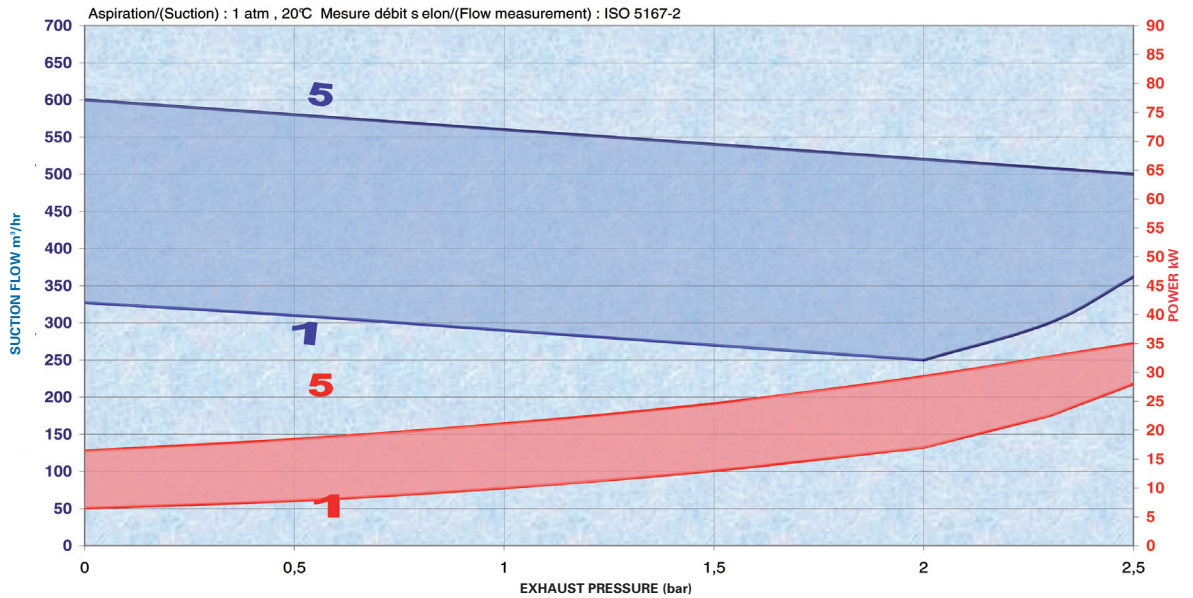
Hydraulic pump version



Screw compressor MH6

◆ Flow (m³/h)

Power (kW)



Configurations for inlet port

- 1 Compressor
- 2 PTO integrated
- 3 Hydraulic pump (option)
- 4 Inlet port
- 5 Discharge port
- 6 Oil filter

C 90 version C 45 version C 180 version



ZI la Plaine des Isles
rue des Caillottes
89000 AUXERRE - FRANCE
T + 33.3.86.49.86.30
F + 33.3.86.46.42.10
contact@mouvex.com



Distributed by :

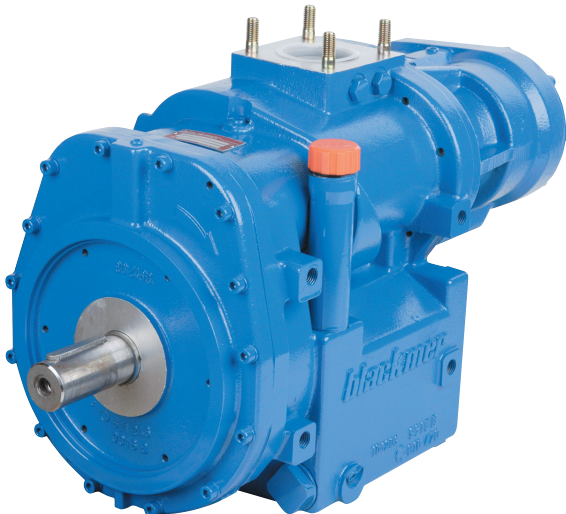
Mouvex reserves the right to modify the information and illustrations contained in this document without prior notice. This is a non-contractual document. 01/09
Printed in FRANCE by Filigrane
© 2010 Mouvex




Screw compressor **MISTRAL**

The specialist


- 375 up to 750 m³/hr -



MISTRAL-20R

1200 - 2000 rpm CW 

MISTRAL-30R

1800 - 3000 rpm CW 

Dimensions (mm) :



L 587 x H 355 x W 280

Weight :



115 kg

**The solution for an optimum mounting
inside truck frame.**

MISTRAL-13R/15L

either 780 - 1300 rpm CW 
or 900 - 1500 rpm CCW 

MISTRAL-19R/22L

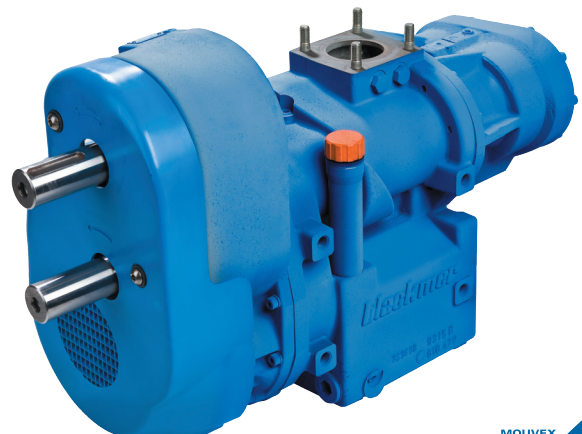
either 1170 - 1950 rpm CW 
or 1320 - 2250 rpm CCW 

Dimensions (mm) :

L 723 x H 442 x W 295

Weight :

145 kg





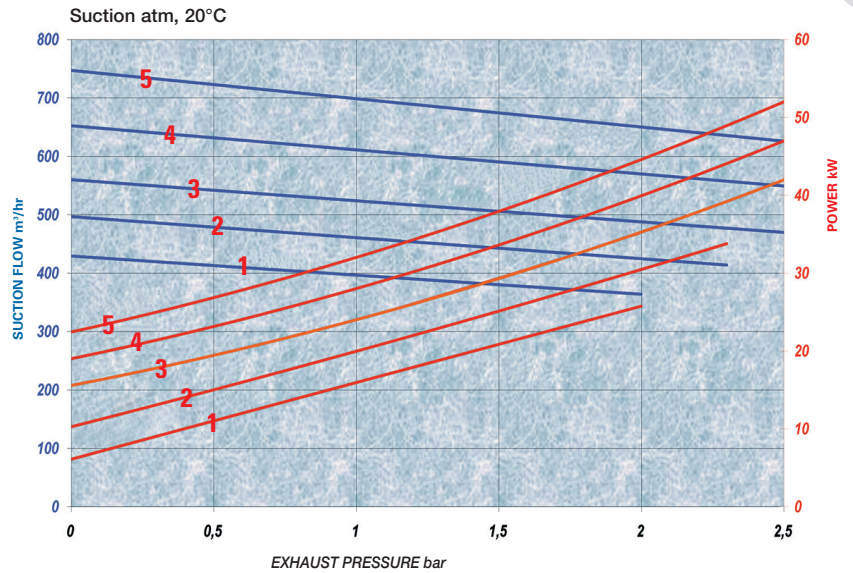
Screw compressor MISTRAL

Speed (rpm)

COMPRESSOR SPEED

VERSION	1	2	3	4	5
13R	780	910	1040	1170	1300
15L	900	1050	1200	1350	1500
19R	1170	1365	1560	1755	1950
20R	1200	1400	1600	1800	2000
22L	1320	1580	1800	2035	2250
30R	1800	2100	2400	2700	3000

Flow (m³/hr) / Power (kW)

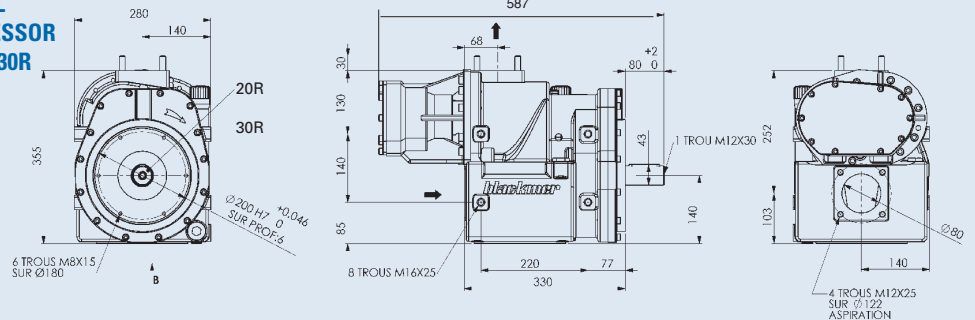


Torque / Pressure (Nm)

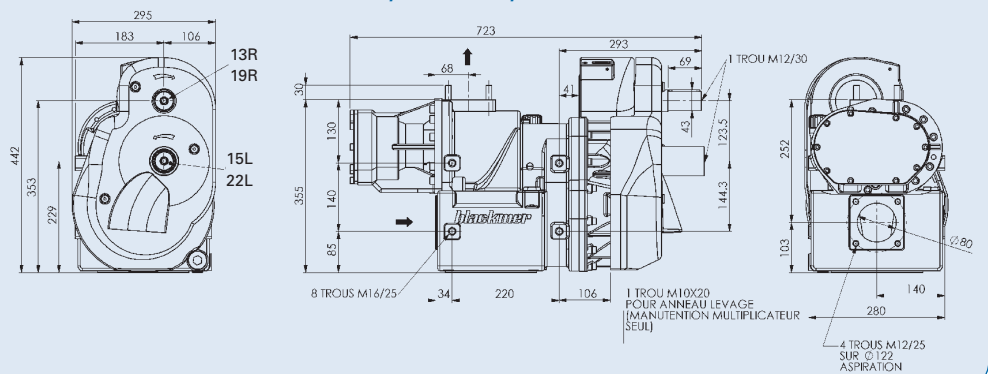
VERSION	1.5	2.0	2.5
13R	280	320	380
15L	240	280	330
19R	190	220	260
20R	180	210	250
22L	160	190	230
30R	120	140	170

*At full speed

MISTRAL COMPRESSOR 20R and 30R



MISTRAL COMPRESSOR WITH MULTIPLIER 13R/15L and 19R/22L



Mouvex reserves the right to modify the information and illustrations contained in this document without prior notice. This is a non-contractual document.
Printed in FRANCE by Filigrane
© 2009 Mouvex

ZI la Plaine des Isles
rue des Caillottes
89000 AUXERRE - FRANCE
T + 33.3.86.49.86.30
F + 33.3.86.46.42.10
contact@mouvex.com



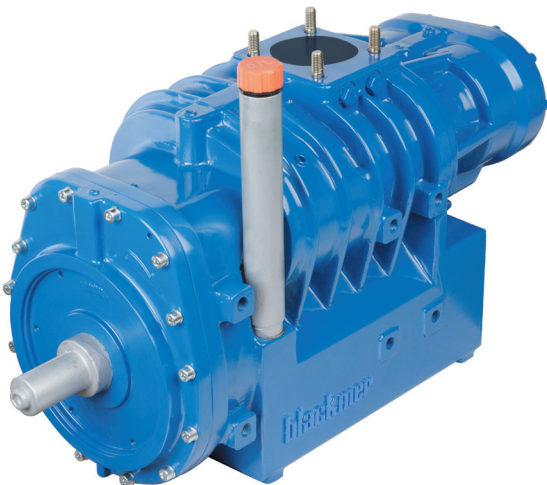
Distributed by :



Screw compressor **TYPHON II**

N/Pressure or SP/Suction and Pressure

The multitalent - 500 up to 1130 m³/hr -



TYPHON II-20R

1200 - 2000 rpm CW



TYPHON II-30R

1800 - 3000 rpm CW



Dimension :

L 664 x H 362 x W 280 mm

Weight :

143 kg

**The solution for an optimum mounting
inside truck frame.**

TYPHON II-13R/15L

either 780 - 1300 rpm CW

or 900 - 1500 rpm CCW



TYPHON II-19R/22L

either 1170 - 1950 rpm CW

or 1320 - 2250 rpm CCW

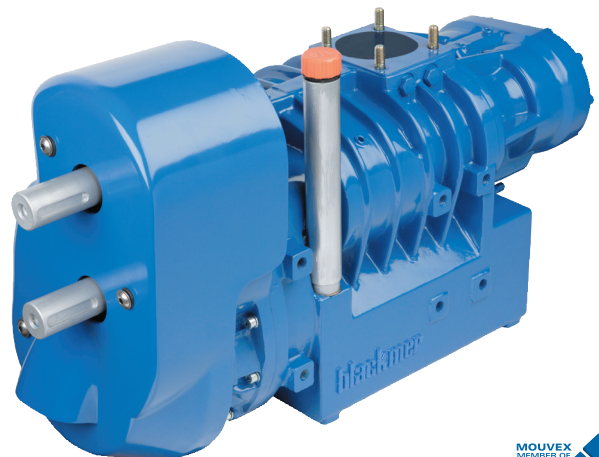


Dimension :

L 799 x H 416 x W 295 mm

Weight :

173 kg





Screw compressor TYPHON II

Speed (rpm)

COMPRESSOR SPEED

VERSION	1	2	3	4	5
13R	780	910	1040	1170	1300
15L	900	1050	1200	1350	1500
19R	1170	1365	1560	1755	1950
20R	1200	1400	1600	1800	2000
22L	1320	1580	1800	2035	2250
30R	1800	2100	2400	2700	3000

Torque / Pressure (Nm)

VERSION	PRESSURE (bar)*		
	1.5	2.0	2.5
13R	370	430	510
15L	320	380	440
19R	250	300	350
20R	240	280	330
22L	220	260	300
30R	160	190	220

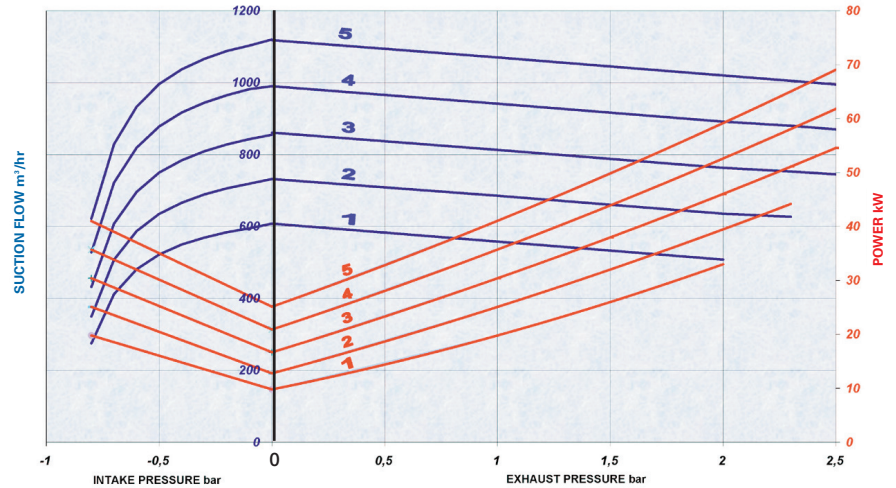
*At full speed

Torque / Suction (Nm)

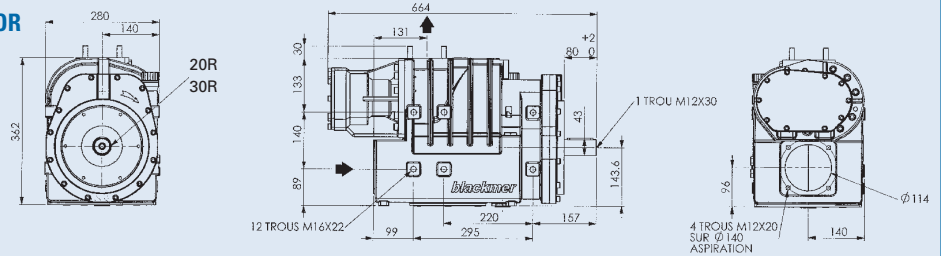
VERSION	Suction -800 mbar
13R	308
15L	267
19R	211
20R	200
22L	182
30R	133

Flow (m³/hr) / Power (kW)

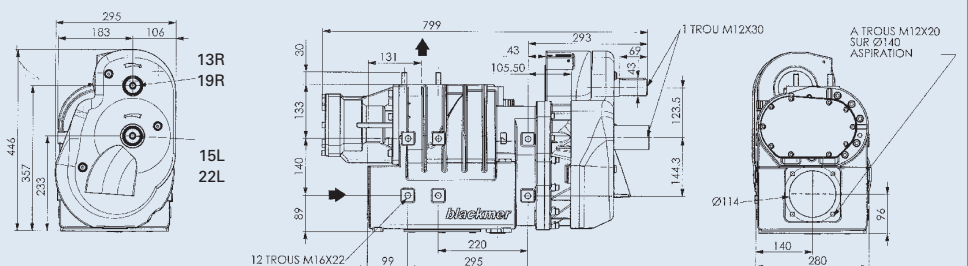
Suction atm, 20°C



TYPHON II COMPRESSOR 20R and 30R



TYPHON II COMPRESSOR WITH MULTIPLIER 13R/15L and 19R/22L



Mouvex reserves the right to modify the information and illustrations contained in this document without prior notice. This is a non-contractual document.
Printed in FRANCE by Filigrane
© 2009 Mouvex

ZI la Plaine des Isles
rue des Caillottes
89000 AUXERRE - FRANCE
T + 33.3.86.49.86.30
F + 33.3.86.46.42.10
contact@mouvex.com

www.mouvex.com



Distributed by :




Screw compressor B 1500

SP/Pression and Pressure


The Unique - 625 up to 1550 m³/h -



B1500 - 20 R

1000 - 2000 rpm CW 

B1500 - 30 R

1500 - 3000 rpm CW 

Dimensions (mm) :



L 743 x H 362 x W 280

Weight :

159 kg

**The solution for an optimum mounting
inside truck frame.**

B1500-19R/22L

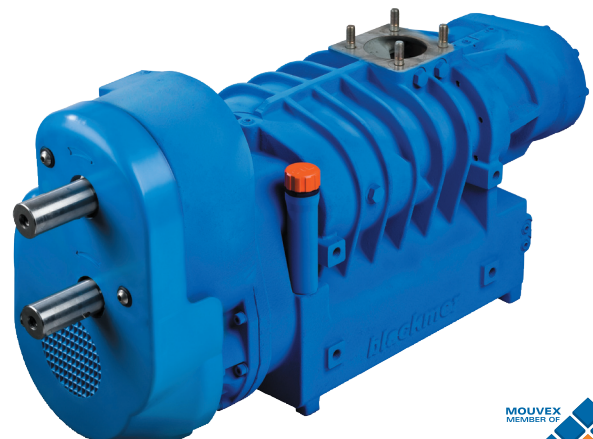
either 975 - 1950 rpm CW 
or 1125 - 2250 rpm CCW 

Dimensions (mm) :

L 880 x H 446 x W 295

Weight :

189 kg





Screw compressor B 1500 SP

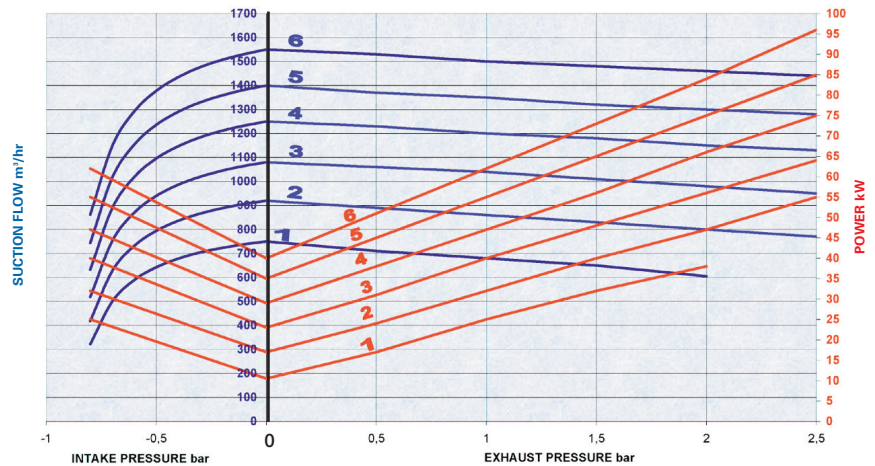
Speed (rpm)

COMPRESSOR SPEED

VERSION	1	2	3	4	5	6
19R	975	1170	1365	1560	1755	1950
20R	1000	1200	1400	1600	1800	2000
22L	1125	1320	1580	1800	2035	2250
30R	1500	1800	2100	2400	2700	3000

Flow (m³/hr) / Power (kW)

Suction atm, 20°C



Torque / Pressure (Nm)

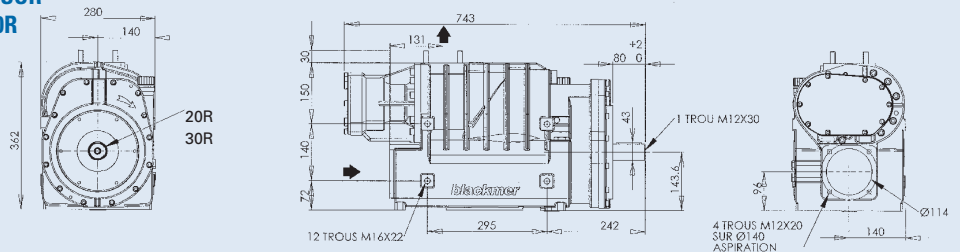
VERSION	1.5	2.0	2.5
19R	370	420	480
20R	350	400	460
22L	320	360	420
30R	230	270	310

*At full speed

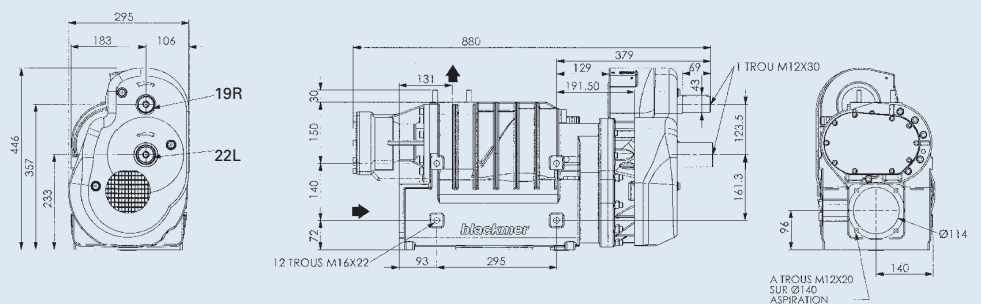
Torque /Suction (Nm)

VERSION	-800 mbar
19R	312
20R	296
22L	269
30R	187

B 1500 COMPRESSOR 20R and 30R



B 1500 COMPRESSOR WITH MULTIPLIER 19R/22L



Mouvex reserves the right to modify the information and illustrations contained in this document without prior notice. This is a non-contractual document.
Printed in FRANCE by Filigrane
© 2009 Mouvex

ZI la Plaine des Isles
rue des Caillottes
89000 AUXERRE - FRANCE
T + 33.3.86.49.86.30
F + 33.3.86.46.42.10
contact@mouvex.com

www.mouvex.com



Distributed by :